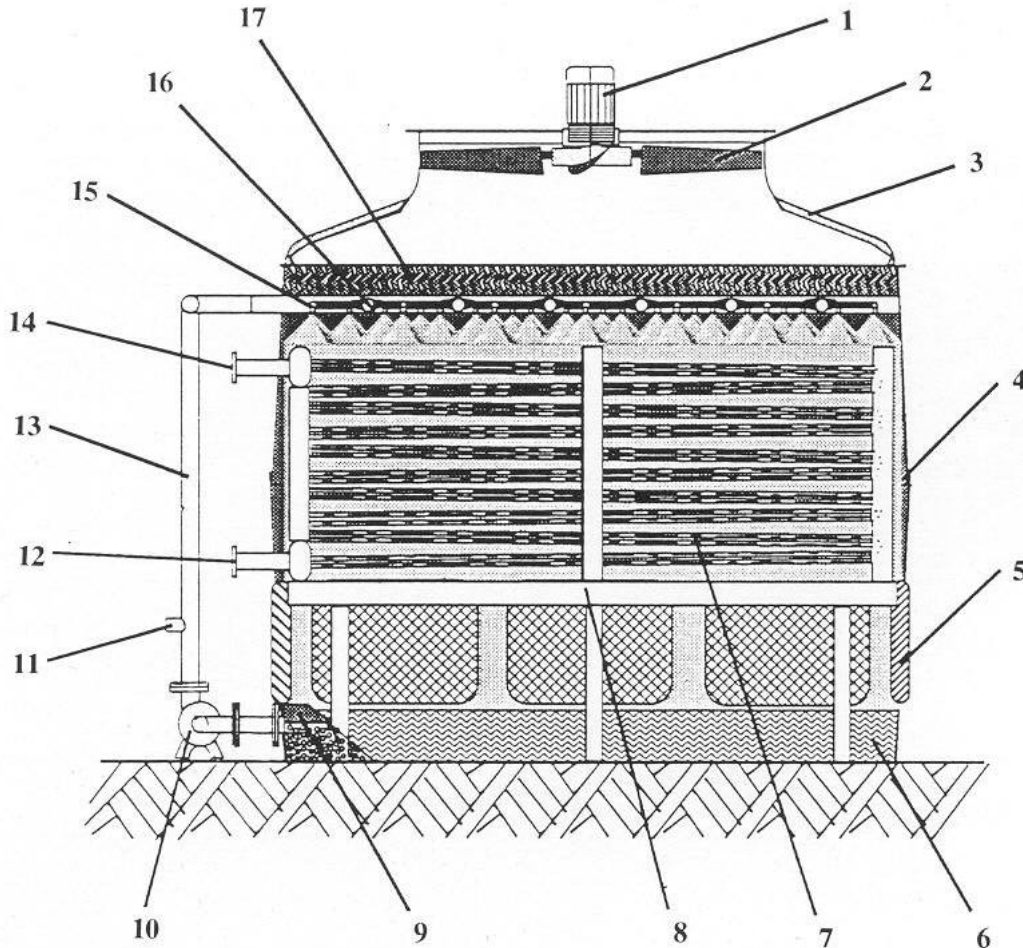




TECHNICAL GRAPHIC
“SULZER” COOLING TOWER EWK-C



Legend:

- | | |
|----------------------------------|------------------------------|
| 1. Motor | 9. Strainer |
| 2. Axial fan | 10. Spray pump |
| 3. Fan shroud – FRP | 11. Air bleed-off |
| 4. Cooling tower shell – FRP | 12. Cold water outlet |
| 5. Air inlet louvers | 13. Supply pipe to sprayers |
| 6. Water basin – FRP | 14. Warm water inlet |
| 7. Coil bundle heat exchanger | 15. Sprayers |
| 8. Support frame for coil bundle | 16. Spray water distribution |
| | 17. Drift eliminator |