

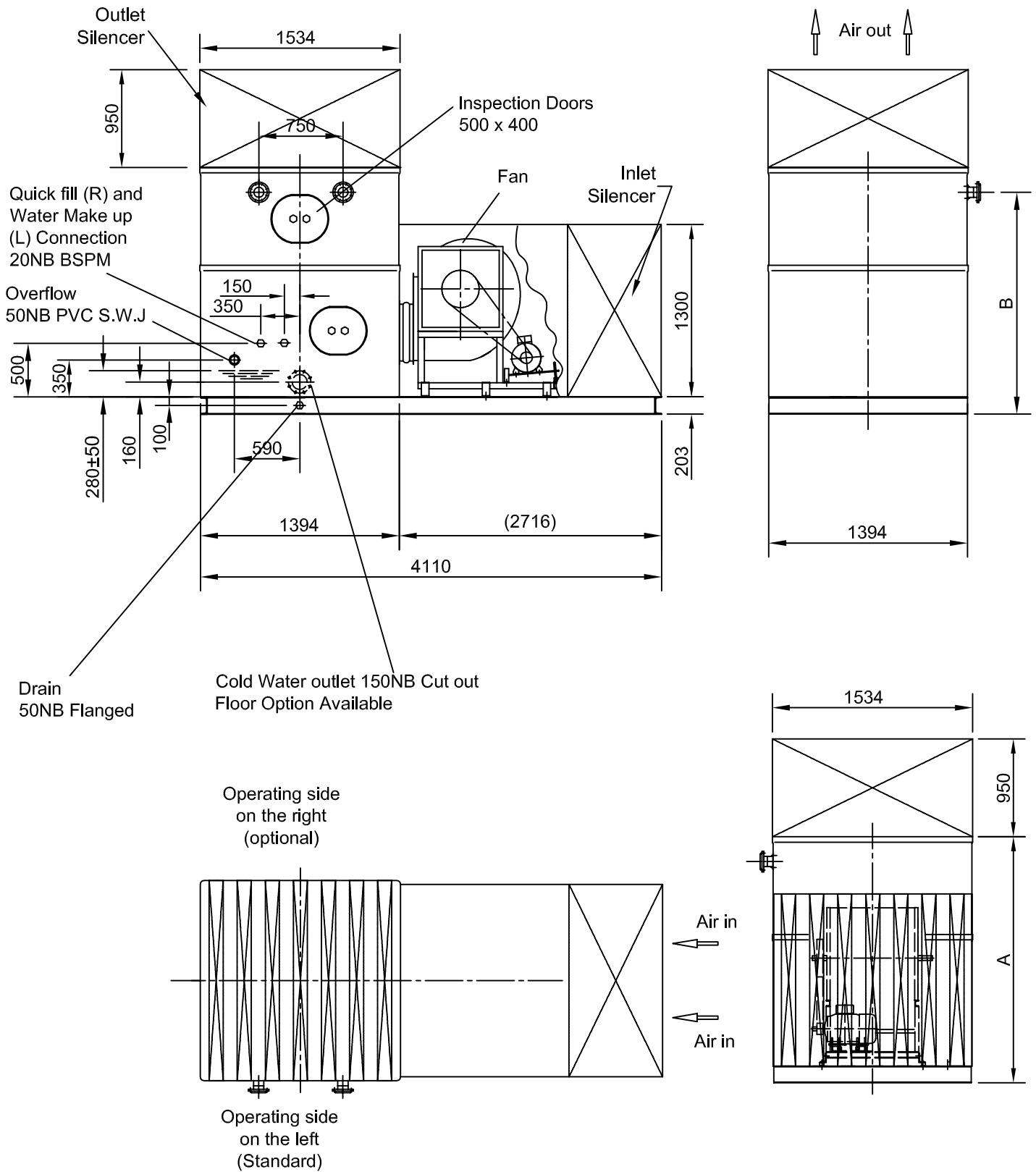


SUPERCHILL Cooling Tower EWK-DA 225

TOWER SHOWN WITH INLET AND OUTLET SILENCERS



REV. DATE 10/10/02 / EWKDA 225 DIMENSION SHEET



	Weight in kg			Height	Fill Height	
	Empty	Operating	Max		600	900
Cooling tower total	1230	2290	3100	A	2280	2580
				B	2055	2355

All flanged connections and cut outs as per AS. 2129 Table "E"
 Tolerances of overall and connection dimensions ±10mm

SUPERCHILL AUSTRALIA PTY LTD
 256 Princes HWY Dandenong 3175
 Technical changes may occur without notification