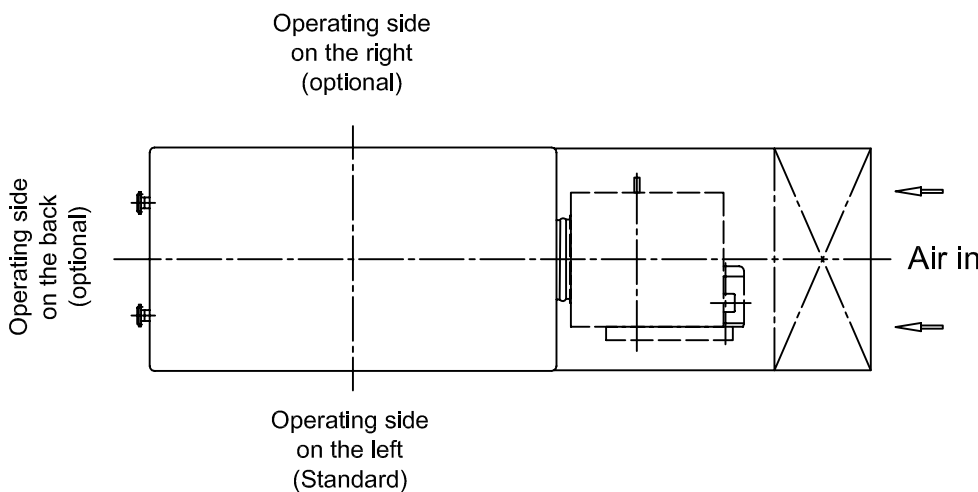
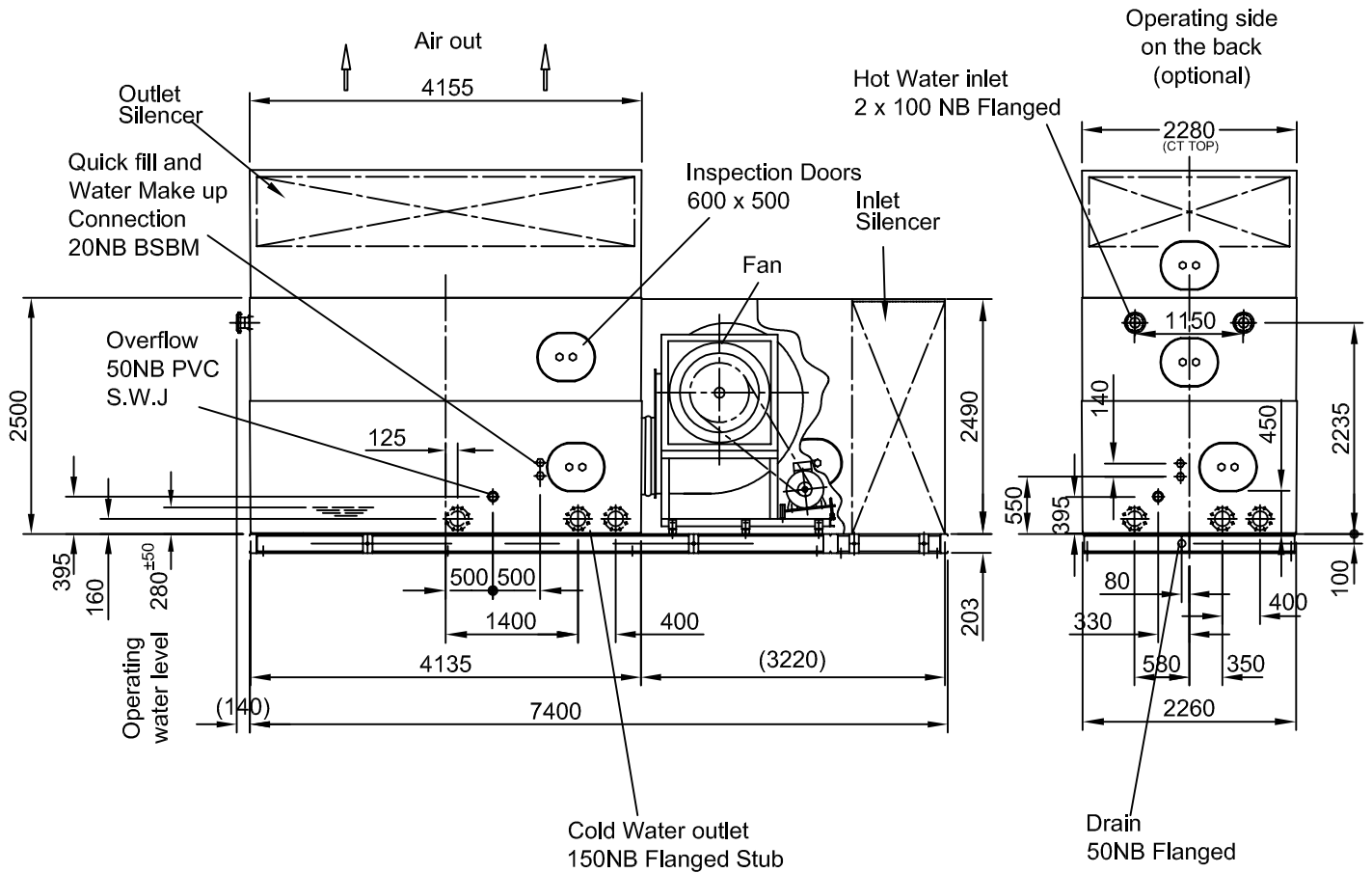




# SUPERCHILL Cooling Tower EWK-DA 930

TOWER SHOWN WITH INLET AND OUTLET SILENCERS

REV. DATE 26/11/03 / EWKDA 930 DIMENSION SHEET



	Weight in kg			Cold water outlet Table "E"	
	Empty	Operating	Max	Water volume m <sup>3</sup> /h	75-160 161-280
Cooling tower total	3500	6700	9000	Side outlet	2x150NB 3x150NB
				Optional Floor outlet cut out	1x250NB 1x300NB

All flanged connections and cut outs as per AS. 2129 Table "E"  
 Tolerances of overall and connection dimensions ±10mm

**SUPERCHILL AUSTRALIA PTY LTD**  
 256 Princes HWY Dandenong 3175  
 Technical changes may occur without notification