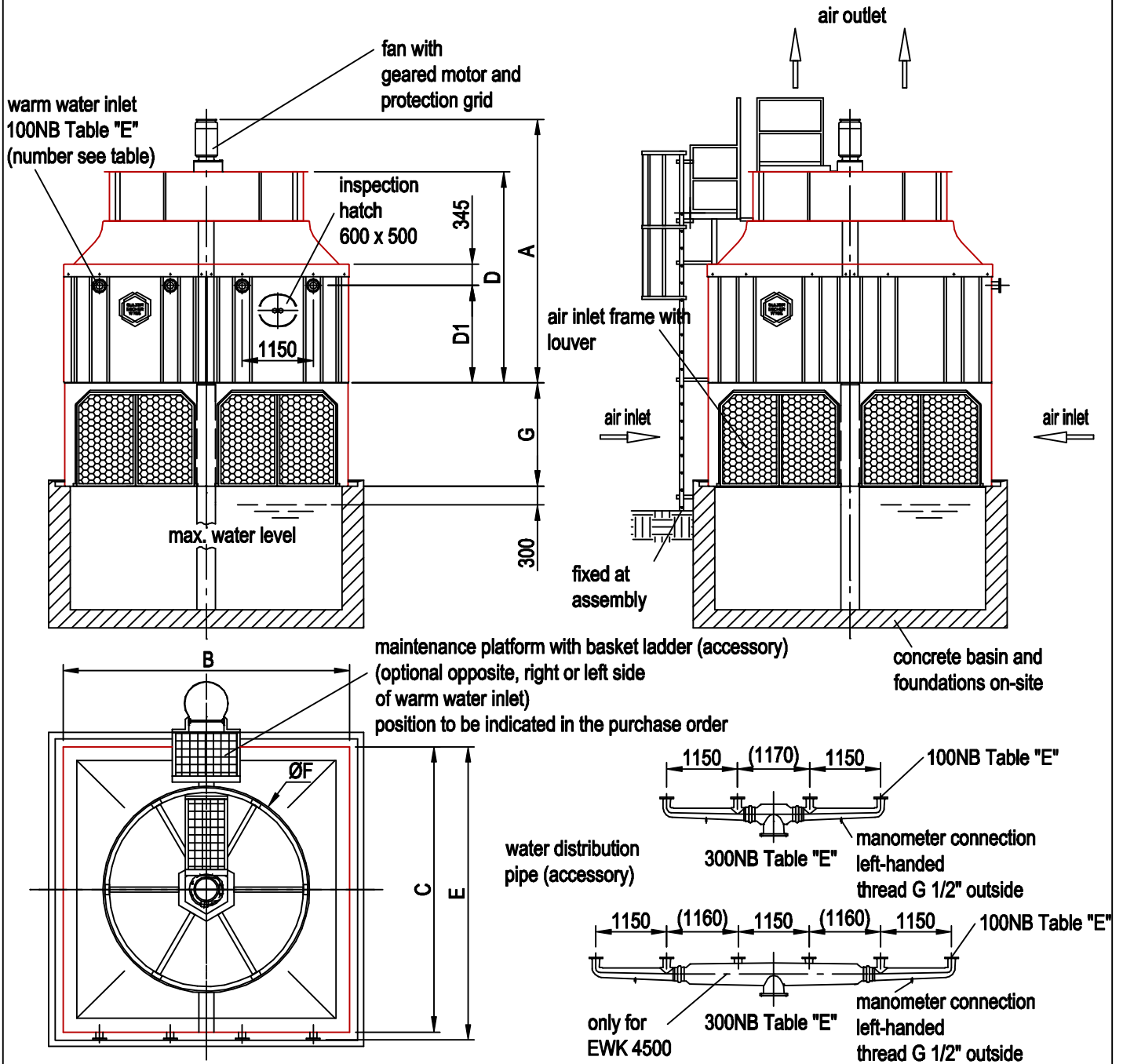




Dimension sheet cooling towers EWK 2100 - 6100

MODUPOL® range - basic type with air inlet frame

R 2.221 B Bl.1_E - 06.2000



type		weights			basic type with air inlet frame							G in mm				warm water inlet
EWK	height of fill material	empty	operation	maximum	A	B	C	D	D1	E	ØF	at height of air inlet				number
		kg	kg	kg	mm	mm	mm	mm	mm	mm	mm	1200	1500	1800	2100	
2100	06/09	3700	5400	6700	4175	4622	4600	3425	1580	4740	3150	1375	1675	1975	2275	4
	15	4500	6400	8000	5175	4622	4600	4425	2580	4740	3150					
3100	06/09	4900	7400	9500	4520	4622	6900	3705	1580	7040	3550	1375	1675	1975	2275	4
	15	6200	8900	11500	5520	4622	6900	4705	2580	7040	3550					
4500	06/09	7200	10900	14000	4680	6950	6900	3705	1580	7040	4500	1375	1675	1975	2275	6
	15	9000	13200	16900	5680	6950	6900	4705	2580	7040	4500					
6100	06/09	10600	15700	19800	5575	9226	6900	4105	1580	7040	5535	1375	1675	1975	2275	2x 4
	15	13000	18700	23700	6575	9226	6900	5105	2580	7040	5535					

All data are valid for standard version ; scope of supply acc. to order confirmation

Tolerances of dimensions and connecting dimensions ±10mm; flange dimensions acc. to AS. 2129