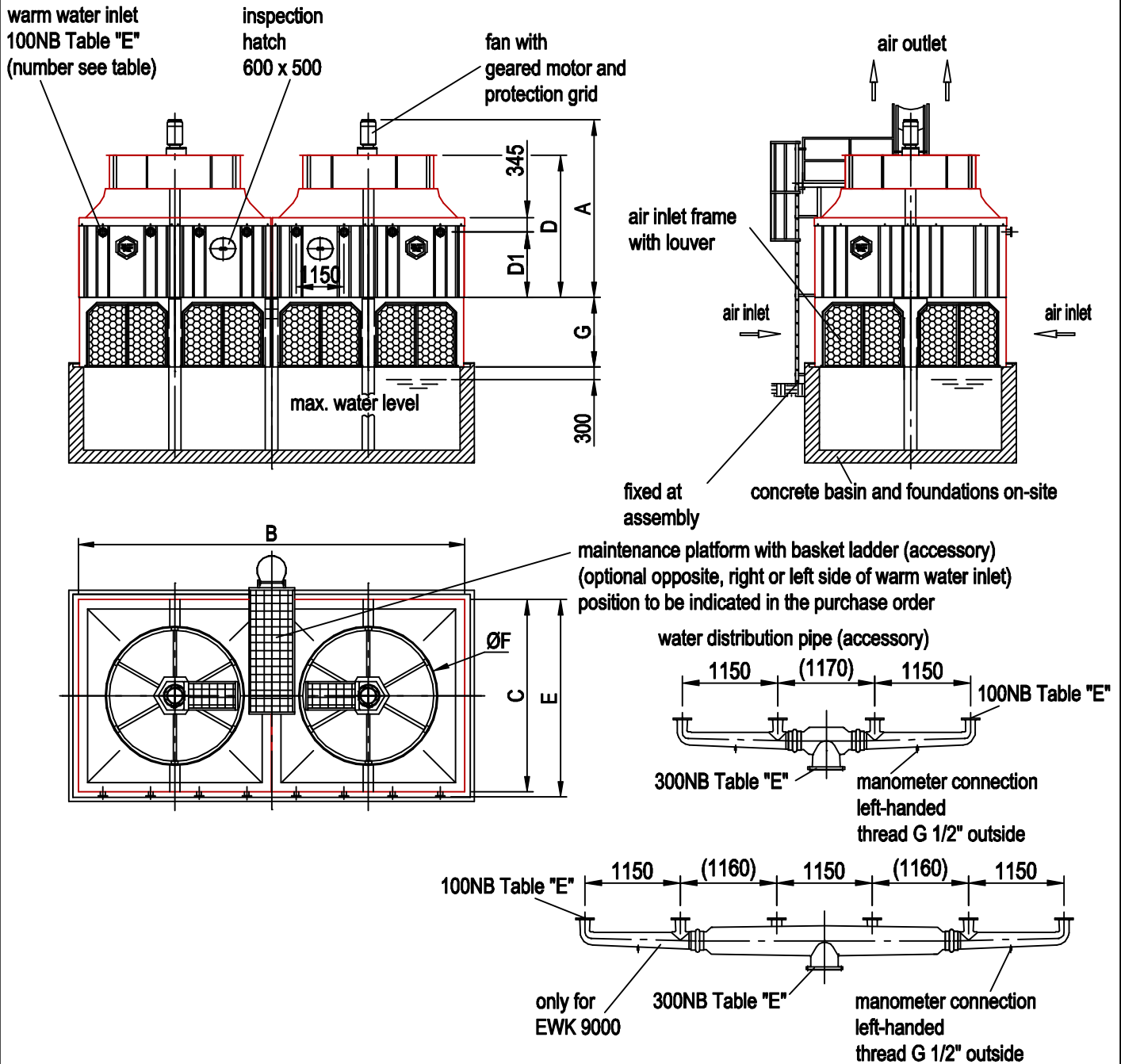




# Dimension sheet cooling towers EWK 4200 - 12200

MODUPOL® range - basic type with air inlet frame

R 2.222 B Bl.1\_E - 06.2000



type		weights			basic type with air inlet frame							G in mm				warm water inlet number
EWK	height of fill material	empty	operation	maximum	A	B	C	D	D1	E	ØF	at height of air inlet				
		kg	kg	kg	mm	mm	mm	mm	mm	mm	mm	1200	1500	1800	2100	
4200	06/09	7300	10700	13400	4175	9280	4600	3425	1580	4740	3150	1375	1675	1975	2275	2x 4
	15	8900	12700	16000	5175	9280	4600	4425	2580	4740	3150					
6200	06/09	9800	14800	18900	4520	9280	6900	3705	1580	7040	3550	1375	1675	1975	2275	2x 4
	15	12200	17800	22800	5520	9280	6900	4705	2580	7040	3550					
9000	06/09	14300	21900	28000	4680	13900	6900	3705	1580	7040	4500	1375	1675	1975	2275	2x 6
	15	18000	26300	33900	5680	13900	6900	4705	2580	7040	4500					
12200	06/09	20700	30900	39100	5575	18500	6900	4105	1580	7040	5535	1375	1675	1975	2275	4x 4
	15	25500	36800	46900	6575	18500	6900	5105	2580	7040	5535					

All data are valid for standard version ; scope of supply acc. to order confirmation

Tolerances of dimensions and connecting dimensions ±10mm; flange dimensions acc. to AS 2129