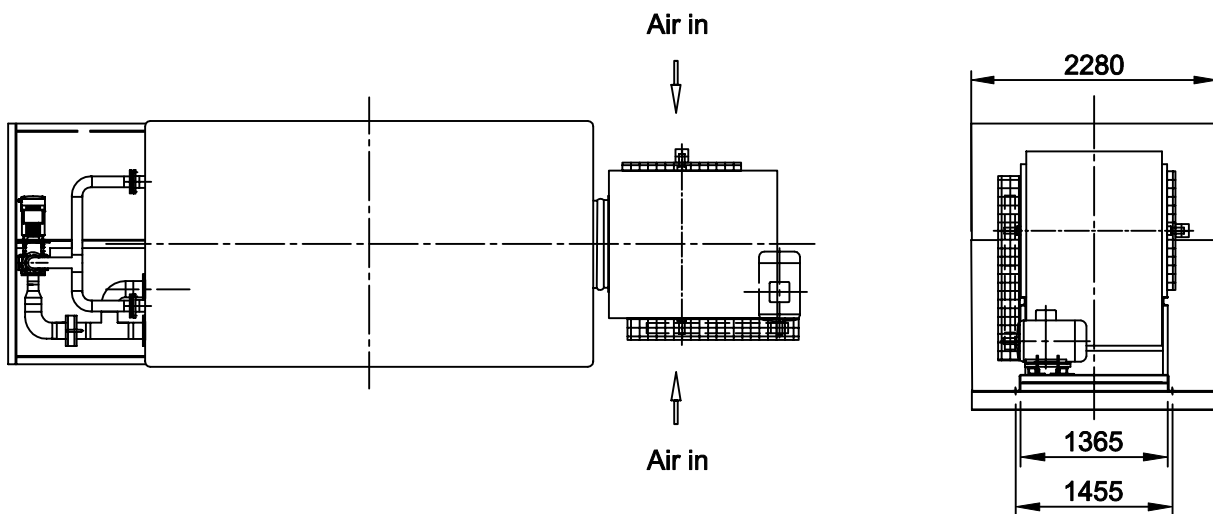
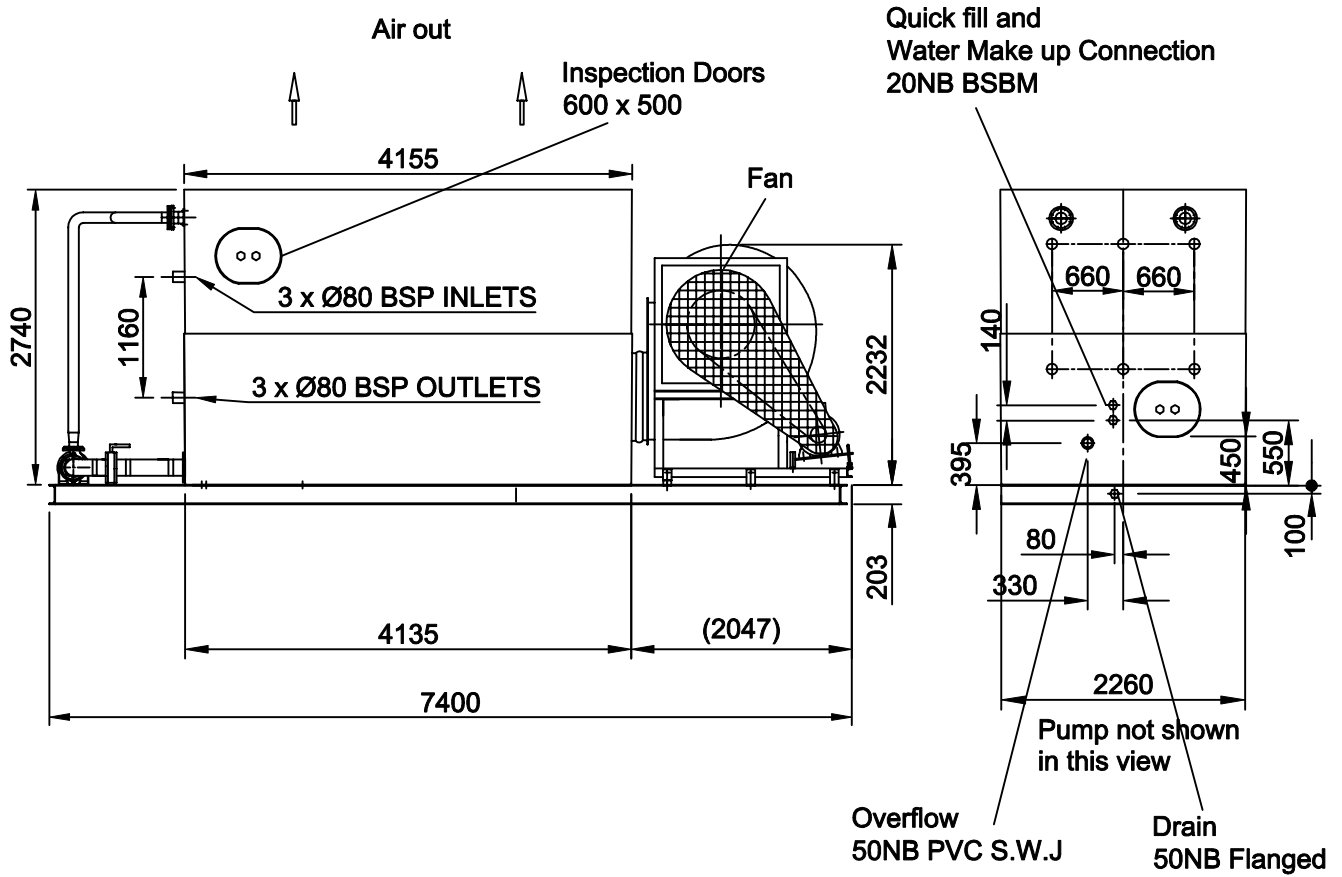




SUPERCHILL Cooling Tower EWK-DC 930



R 2.268 B Bl.1_D - 10.1999 / EWK-DC 930 DIMENSION SHEET



	Weight in kg	
	Empty	Operating
Cooling tower total	5000	9800

All flanged connections and cut outs as per AS. 2129 Table "E"
 Tolerances of overall and connection dimensions ±10mm

SUPERCHILL AUSTRALIA PTY LTD
 256 Princes HWY Dandenong 3175
 Technical changes may occur without notification